



Backward curved impeller

Single inlet direct-drive centrifugal fans, manufactured from anti-corrosion steel sheet with polyester paint, centrifugal backward curved impeller and dynamically balanced, three phase motor, IP55, Class F.

Motors

2 or 4 pole depending on version, IE 2 high efficiency.
Supply voltage:
Three phase 230/400V-50Hz, up to 3 kW.
400V-50Hz for more power.

Additional information

Standard orientation: LG270.
Designed to continuously circulate air up to 120°C.

On request

Manufactured from different materials.
RD versions.
Versions with no stand (MB – Motor Flange).
60 Hz versions.
6 pole motors.
2-speed motors.
High-temperature versions (up to 250°C).
Versions R, with cooling impeller.
Inspection door, draining, weather seal on scroll and shaft access.

ATEX Versions

On request, explosion proof versions in accordance with ATEX Directive for three-phase models:

- ATEX Flameproof - Gas
 - ⊕ II 2G Ex d IIB T4
 - ⊕ II 2G Ex d IIB(H2) T4 (with Ex d IIC T4 motor)
- ATEX Increased safety - Gas
 - ⊕ II 2G Ex e II T3
- ATEX - Dust
 - Suspended flammable particles and non-conductive dust:
 - ⊕ II 3D Ex tc IIIB T125°C
 - Conductive dust:
 - ⊕ II 3D Ex tc IIIC T125°C (with IP65 motor)

To select CRT refer to performance curves, or Easyvent.

Note electrical data may vary for ATEX motors.

You may consult the availability of other ATEX motor versions.



Inspection door
On request for models from 251 to 562.
In standard for models 631 and bigger.



Scroll position
Can be modify on construction site for models up to 562.
Supplied from factory at the choosen positioning with no possibility to modify for models 631 and bigger.

Specific applications



Continuous



Versions

TECHNICAL CHARACTERISTICS

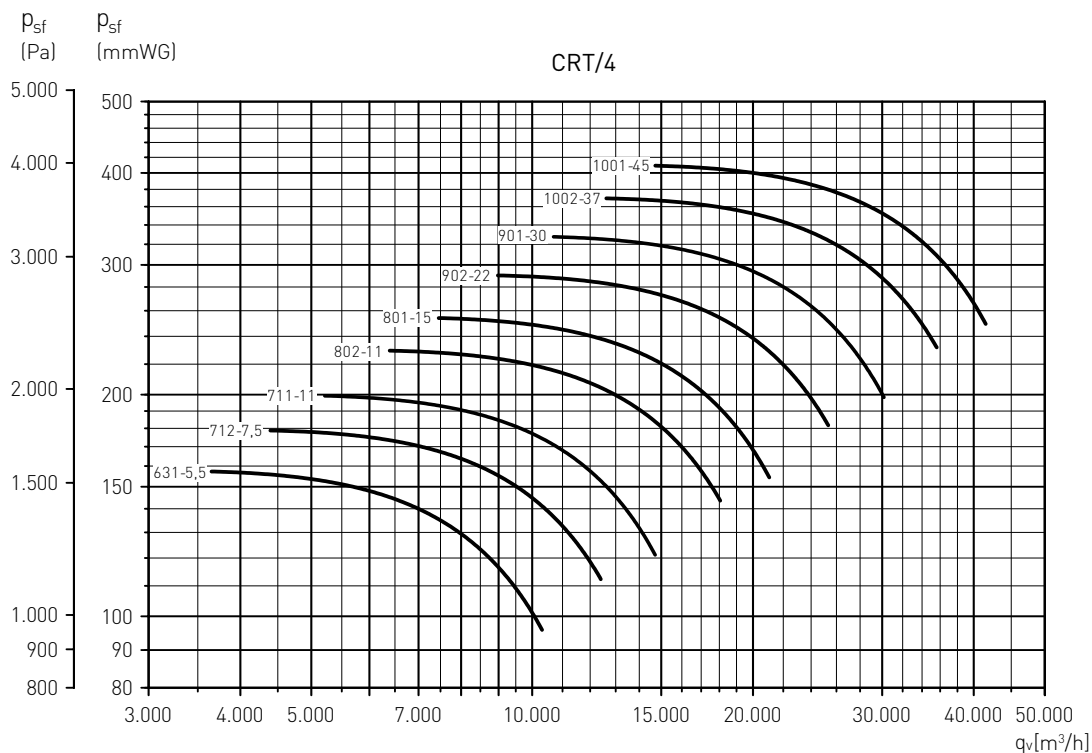
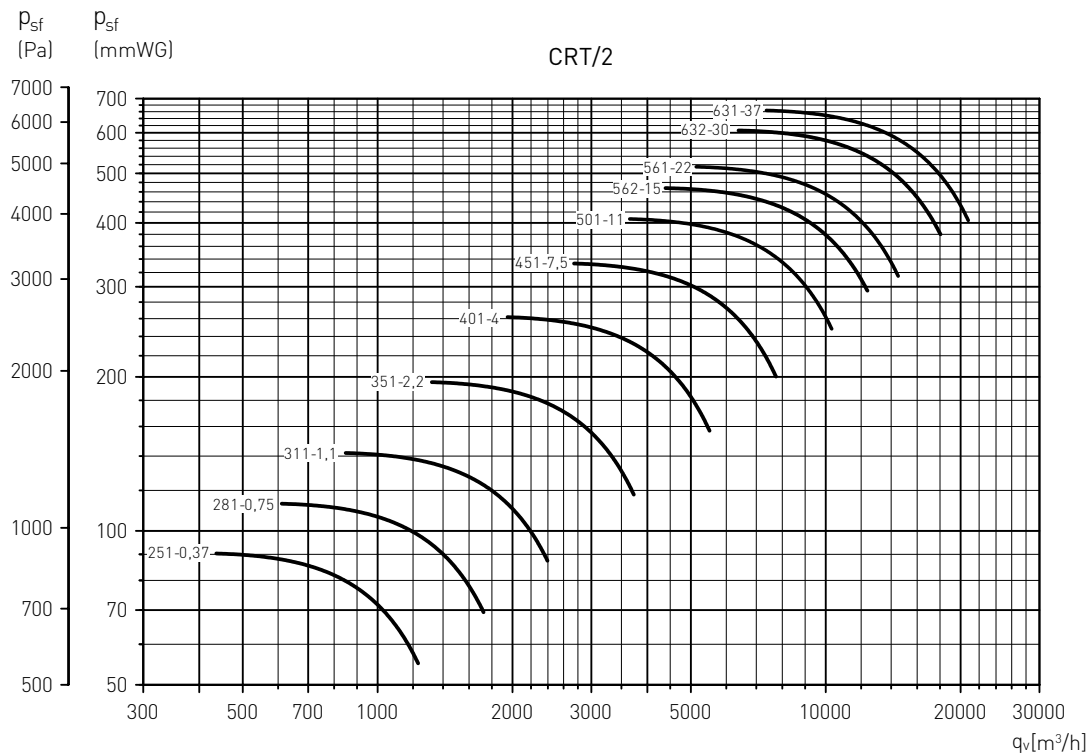
Before installation check that product electrical characteristics listed on the data plate label (voltage, power, frequency, etc.) match those of the intended electrical supply. Explosion proof of types only work at an ambient temperature between -30°C and +40°C.

Model	Speed (rpm)	Motor power (kW)	Maximum absorbed current 400V (A)	Maximum airflow (m ³ /h)	Sound pressure level* (dB(A))	Weight (kg)
2 POLE MOTORS						
CRT/2-251-0,37	2790	0,37	0,84	1.232	56	26
CRT/2-281-0,75	2770	0,75	1,56	1.724	59	41
CRT/2-311-1,1	2800	1,1	2,26	2.394	63	50
CRT/2-351-2,2	2855	2,2	4,42	3.730	68	67
CRT/2-401-4	2890	4	7,49	5.505	72	98
CRT/2-451-7,5	2920	7,5	13,07	7.744	75	146
CRT/2-501-11	2930	11	20,4	10.312	78	215
CRT/2-561-22	2940	22	39,1	14.513	82	320
CRT/2-562-15	2945	15	27,6	12.387	80	266
CRT/2-631-37	2945	37	65,8	20.805	85	372
CRT/2-632-30	2950	30	53,06	18.033	84	320
4 POLE MOTORS						
CRT/4-631-5,5	1460	5,5	10,4	10.314	70	189
CRT/4-711-11	1465	11	21,2	14.713	74	366
CRT/4-712-7,5	1460	7,5	13,9	12.406	72	330
CRT/4-801-15	1460	15	28,7	21.047	77	460
CRT/4-802-11	1465	11	21,2	18.045	76	440
CRT/4-901-30	1465	30	56,2	30.173	81	640
CRT/4-902-22	1460	22	40,5	25.332	79	610
CRT/4-1001-45	1470	45	80,7	41.531	84	845
CRT/4-1002-37	1470	37	66,6	35.608	83	820

* Break-out sound pressure level measured in free field conditions, at a distance of 1,5m, inlet and outlet ducted.

PERFORMANCE CURVES

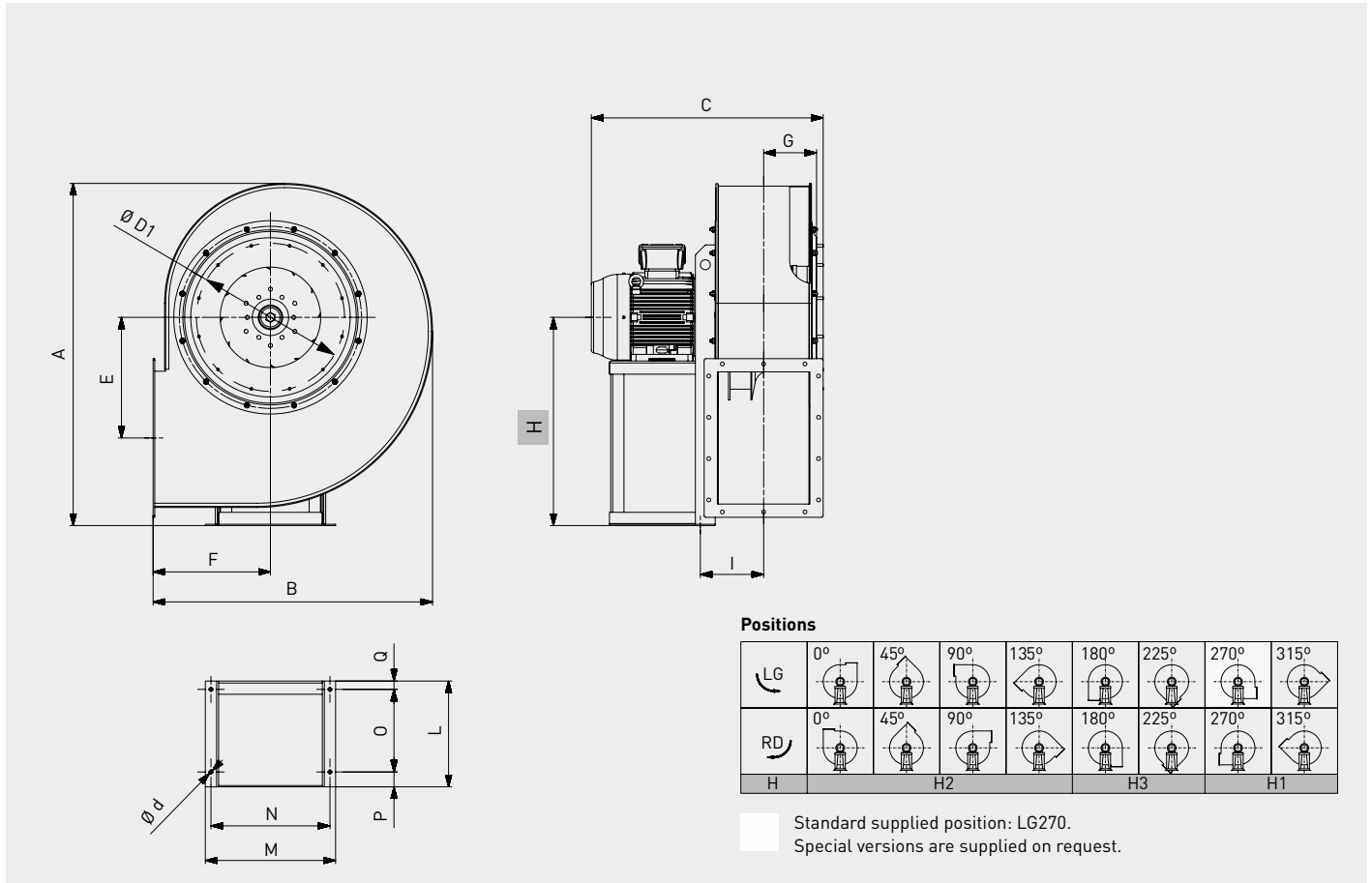
- Fan ducted on both inlet and outlet sides.
- q_v : Airflow in m^3/h .
- p_{sf} : Static pressure in mmWG and Pa.



CENTRIFUGAL BACKWARD CURVED IMPELLER CRT Series

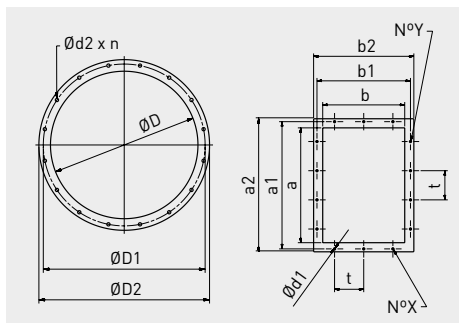


DIMENSIONS (mm) (Models from 251 to 561)



Model	Fan										Feet							Size*		
	A	B	C	E	F	G	H			I	L	M	N	O	P	Q	Ød	C	Q	L
							H1	H2	H3											
CRT/2-251 0,37	524	444	398	170	200	81,5	315	315	200	125,5	190	235	215	125	50	15	10	438	55	230
CRT/2-281 0,75	588	490	436	202	212	93,5	355	355	212	135,5	190	235	215	125	50	15	10	476	55	230
CRT/2-311 1,1	662	548	456	228	236	103,5	400	400	236	145,5	190	235	215	125	50	15	10	496	55	230
CRT/2-351 2,2	742	617	526	263	265	117	450	450	265	166	215	270	245	137	60	18	10	572	63	260
CRT/2-401 4	828	694	603	292	300	129	500	500	300	153	260	335	300	200	35	25	12	648	70	305
CRT/2-451 7,5	926	776	706	328	335	142,5	560	560	335	176	320	392	360	250	45	25	12	756	75	370
CRT/2-501 11	1035	845	814	365	355	160	630	560	355	201,5	425	437	400	340	55	30	14	874	90	485
CRT/2-561 22	1165	950	916	410	400	177,5	710	560	400	229	470	497	450	370	65	35	14	976	95	530
CRT/2-562 15	1165	950	850	410	400	177,5	710	560	400	219	425	437	400	340	55	30	14	910	90	485

* With cooling impeller (for R versions)



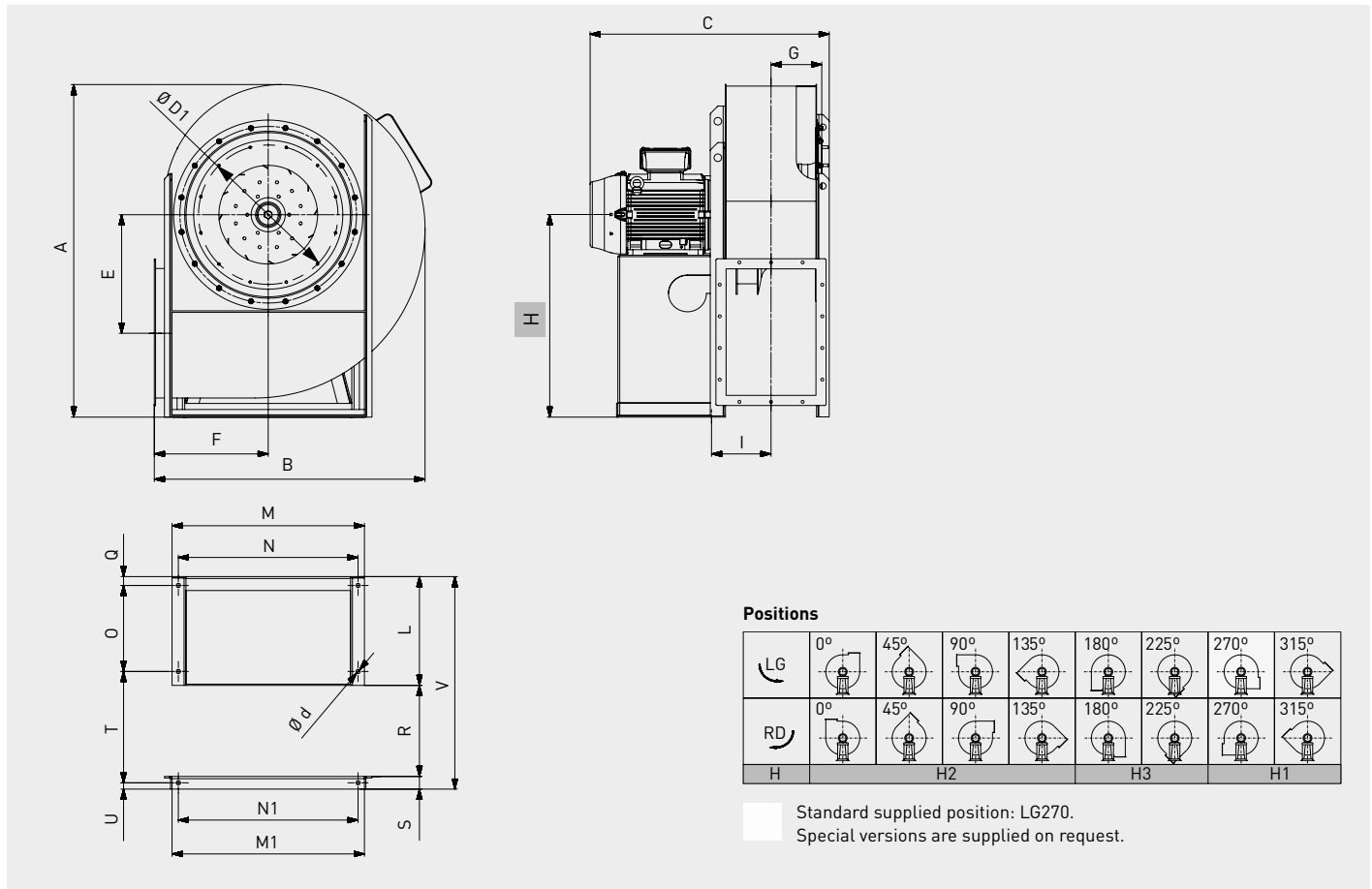
Model	Inlet flange						Discharge flange												
	ØD	ØD1	ØD2	Ød2	n	N°Y	a	a1	a2	N°X	b	b1	b2	t*	Ød1				
CRT-251	205	241	275	11	8	2	200	241	270	2	140	182	210	112	11,5				
CRT-281	229	265	299	11	8	2	224	265	294	2	160	200	230	112	11,5				
CRT-311	255	292	325	11	8	3	250	292	320	2	180	219	250	112	11,5				
CRT-351	286	332	366	11	8	3	280	332	360	2	200	249	280	125	11,5				
CRT-401	321	366	401	11	8	3	315	366	395	2	224	273	304	125	11,5				
CRT-451	361	405	441	11	8	3	355	405	435	2	250	300	330	125	11,5				
CRT-501	405	448	485	11	12	4	400	448	480	3	280	332	360	125	11,5				
CRT-561	455	497	535	11	12	4	450	497	530	3	315	366	395	125	11,5				
CRT-562	455	497	535	11	12	4	450	497	530	3	315	366	395	125	11,5				

* If N°X or N°Y = 1, only one hole in the center

CENTRIFUGAL BACKWARD CURVED IMPELLER CRT Series

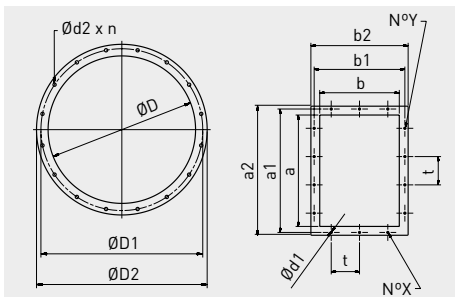


DIMENSIONS (mm) (Models from 631 to 1002)



Model	Fan							Feet													Size*						
	A	B	C	E	F	G	H			I	L	M	N	M1	N1	O	Q	R	S	T	U	V	Ød	C	Q	L	V
							H1	H2	H3																		
CRT/2-631 37	1314	1070	1066	465	450	200,5	800	630	450	255	505	760	710	760	710	385	45	360	50	460	25	915	20	1126	105	565	975
CRT/2-632 30	1314	1070	1066	465	450	200,5	800	630	450	255	505	760	710	760	710	385	45	360	50	460	25	915	20	1126	105	565	975
CRT/4-631 5,5	1314	1070	821	465	450	200,5	800	630	450	225	325	760	710	760	710	250	30	360	50	430	25	735	17	871	80	375	785
CRT/4-711 11	1484	1200	944	525	500	226	900	710	500	258	430	850	800	850	800	340	35	406	50	486	25	886	17	1004	95	490	946
CRT/4-712 7,5	1484	1200	867	525	500	226	900	710	500	248	325	850	800	850	800	250	30	406	50	476	25	781	17	917	80	375	831
CRT/4-801 15	1650	1340	1048	585	560	253	1000	800	560	283	430	930	870	930	870	340	35	456	60	541	30	946	17	1108	95	490	1006
CRT/4-802 11	1650	1340	1004	585	560	253	1000	800	560	283	430	930	870	930	870	340	35	456	60	541	30	946	17	1064	95	490	1006
CRT/4-901 30	1775	1485	1184	630	630	278	1060	900	630	328	505	1030	970	1030	970	385	45	506	60	611	30	1071	20	1244	105	565	1131
CRT/4-902 22	1775	1485	1157	630	630	278	1060	900	630	318	475	1030	970	1030	970	370	40	506	60	601	30	1041	17	1217	100	535	1101
CRT/4-1001 45	1980	1670	1353	710	710	314	1180	1000	710	369	555	1130	1060	1140	1060	425	45	568	80	693	40	1203	20	1413	105	615	1263
CRT/4-1002 37	1980	1670	1353	710	710	314	1180	1000	710	369	505	1130	1060	1140	1060	375	45	568	80	693	40	1153	20	1413	105	565	1213

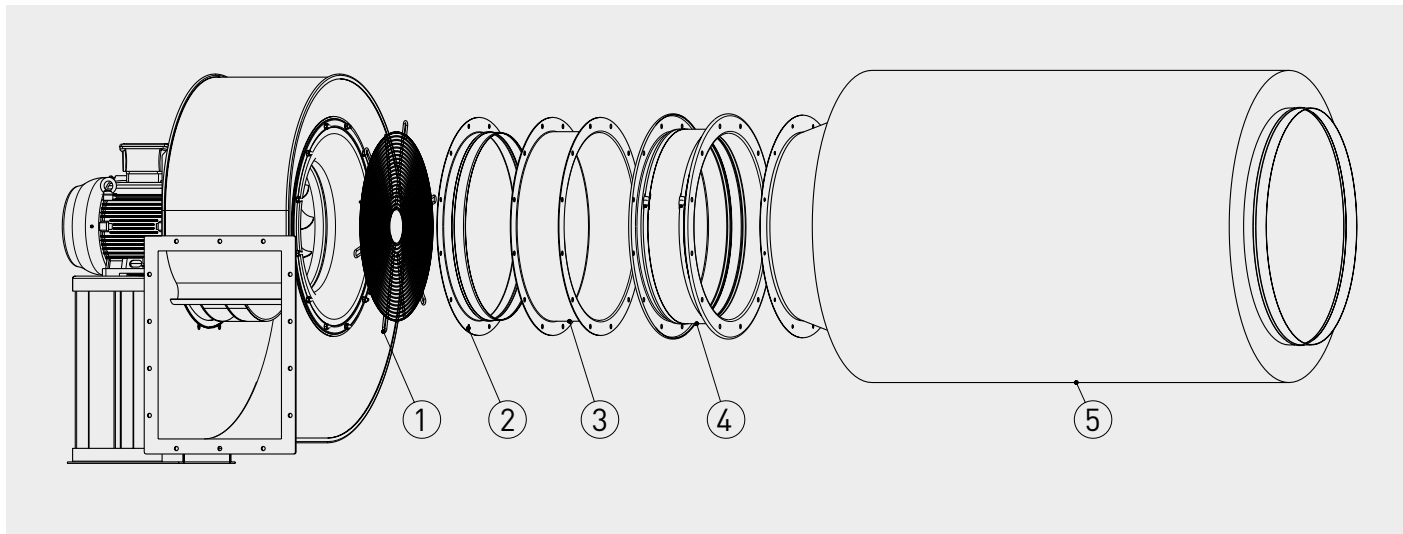
* With cooling impeller (for R versions)



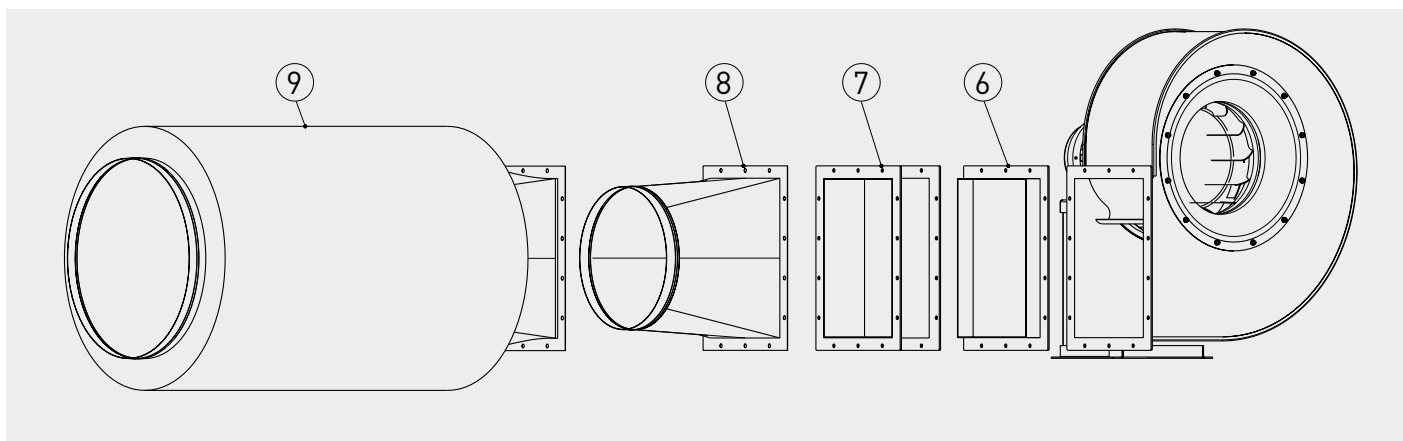
Model	Inlet flange					Discharge flange									
	ØD	ØD1	ØD2	Ød2	n	N°Y	a	a'	a''	N°X	b	b'	b''	t*	Ød1
CRT-631	505	551	585	11	12	4	500	551	580	3	355	405	435	125	11,5
CRT-632	505	551	585	11	12	4	500	551	580	3	355	405	435	125	11,5
CRT-711	566	629	665	13	16	4	560	629	660	3	400	464	500	160	11,5
CRT-712	566	629	665	13	16	4	560	629	660	3	400	464	500	160	11,5
CRT-801	636	698	736	13	16	4	630	698	730	3	450	513	550	160	11,5
CRT-802	636	698	736	13	16	4	630	698	730	3	450	513	550	160	11,5
CRT-901	716	775	816	13	16	5	710	775	810	3	500	567	600	160	14
CRT-902	716	775	816	13	16	5	710	775	810	3	500	567	600	160	14
CRT-1001	806	861	890	13	16	4	800	871	920	3	560	639	680	200	14
CRT-1002	806	861	890	13	16	4	800	871	920	3	560	639	680	200	14

* If N°X or N°Y = 1, only one hole in the center

MOUNTING ACCESSORIES

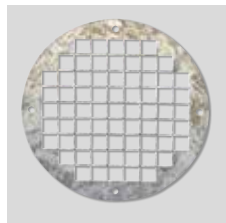


- | | |
|--------------------------------------|---|
| 1. Inlet guard | 6. Outlet flange |
| 2. Inlet flange | 7. Outlet rectangular flexible connector |
| 3. Double connection flange | 8. Rectangular/circular connection flange |
| 4. Inlet circular flexible connector | 9. Outlet sound attenuator |
| 5. Inlet sound attenuator | |

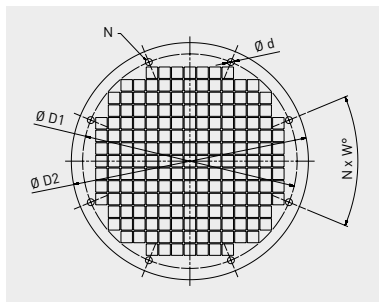


Model	ACCESORIES	
	Inlet	Outlet
	KRBA / KRBD / KRDA / KREA / KRTA = Ø	KRBI / KRBR / KRED / KRTI = mm
CRT-251	Ø 200	200 x 140
CRT-281	Ø 225	224 x 160
CRT-311	Ø 250	250 x 180
CRT-351	Ø 280	280 x 200
CRT-401	Ø 315	315 x 224
CRT-451	Ø 355	355 x 250
CRT-501	Ø 400	400 x 280
CRT-561	Ø 450	450 x 315
CRT-631	Ø 500	500 x 355
CRT-711	Ø 560	560 x 400
CRT-801	Ø 630	630 x 450
CRT-901	Ø 710	710 x 500
CRT-1001	Ø 800	800 x 560

MOUNTING ACCESSORIES



KRDA

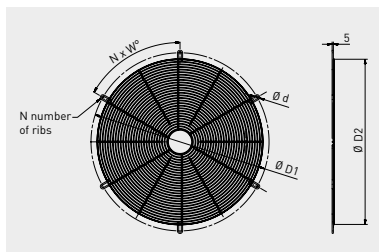


Model	Ø D1	Ø D2	Ø d	N	W°
KRDA-100	139	165	9	4	90
KRDA-125	165	190	9	4	90
KRDA-140	182	215	11	4	90
KRDA-160	200	230	11	8	45
KRDA-180	219	240	11	8	45
KRDA-200	241	265	9	8	45
KRDA-225 ESP.	260	290	9	8	45
KRDA-225	265	290	9	8	45
KRDA-250	292	320	9	8	45
KRDA-280	332	360	9	8	45
KRDA-315	366	395	9	8	45
KRDA-355	405	435	11	8	45
KRDA-400	448	480	11	8	45

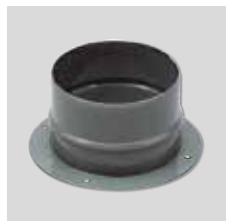


Inlet protection guard

Inlet protection guard to prevent any contact with the fan impeller.

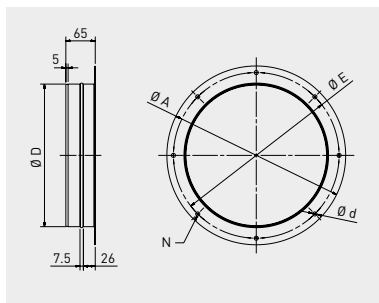


Model	Ø D1	Ø D2	Ø d	N	W°
KRDA-450	497	450	11	12	30
KRDA-500	551	500	12	6	60
KRDA-560	629	570	12	8	45
KRDA-630	698	640	12	8	45
KRDA-710	775	720	12	8	45
KRDA-800	861	810	12	8	45



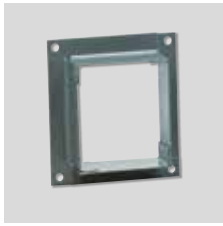
**KRBA
Inlet flange**

Flange to facilitate the connection of the circular duct at the fan inlet.

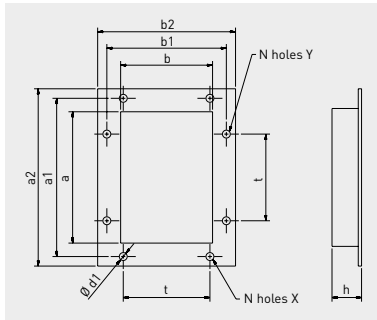


Model	Ø D1	Ø D2	Ø d	N	W°
KRBA-125	130	165	189	4	11
KRBA-140	145	182	215	8	11
KRBA-160	160	200	235	8	11
KRBA-180	180	219	240	8	11
KRBA-200	200	241	265	8	9
KRBA-225	225	265	290	8	9
KRBA-250	250	292	320	8	9
KRBA-280	280	332	360	8	9
KRBA-315	315	366	395	8	11
KRBA-355	355	405	435	8	11
KRBA-400	400	448	480	12	11
KRBA-450	450	497	537	12	12
KRBA-500	506	551	595	12	12
KRBA-560	568	629	655	16	12
KRBA-630	638	698	725	16	12
KRBA-710	718	775	806	16	12
KRBA-800	806	861	896	16	12

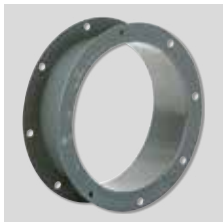
MOUNTING ACCESSORIES



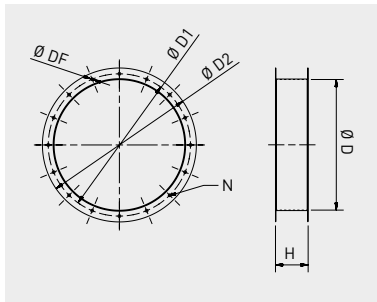
**KRBR
Outlet flange**
Flange to facilitate the connection of the rectangular duct at the fan outlet.



Model	N°Y	a	a1	a2	N°X	b	b1	b2	t	Ø d1	H
KRBR-80x56	2	80	---	130	---	56	80	106	100	9,5	50
KRBR-90x63	2	90	---	150	---	63	90	123	112	9,5	50
KRBR-100x71	2	100	---	160	---	71	100	131	125	9,5	50
KRBR-112x80	2	112	---	172	---	80	112	140	140	9,5	50
KRBR-125x90	2	125	165	185	1	90	130	150	100	9,5	50
KRBR-140x100	2	140	182	210	1	100	141	170	112	11,5	50
KRBR-160x112	2	160	200	230	1	112	153	182	112	11,5	50
KRBR-180x125	2	180	219	250	1	125	167	195	112	11,5	50
KRBR-200x140	2	200	241	270	2	140	182	210	112	11,5	50
KRBR-224x160	2	224	265	294	2	160	200	230	112	11,5	50
KRBR-250x180	3	250	292	320	2	180	219	250	112	11,5	50
KRBR-280x200	3	280	332	360	2	200	249	280	125	11,5	50
KRBR-315x224	3	315	366	395	2	224	273	304	125	11,5	50
KRBR-355x250	3	355	405	435	2	250	300	330	125	11,5	50
KRBR-400x280	4	400	448	480	3	280	332	360	125	11,5	50
KRBR-450x315	4	450	497	530	3	315	366	395	125	11,5	50
KRBR-500x355	4	500	551	580	3	355	405	435	125	11,5	60
KRBR-560x400	4	560	629	660	3	400	464	500	160	11,5	60
KRBR-630x450	4	630	698	730	3	450	513	550	160	11,5	60
KRBR-710x500	5	710	775	810	3	500	567	600	160	14	60
KRBR-800x560	4	800	871	920	3	560	639	680	200	14	60

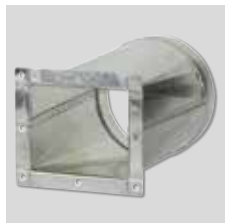


**KRBD
Double connection
flange**
Double connection flange to mount at the fan inlet for the connection with a duct or a flat surface.



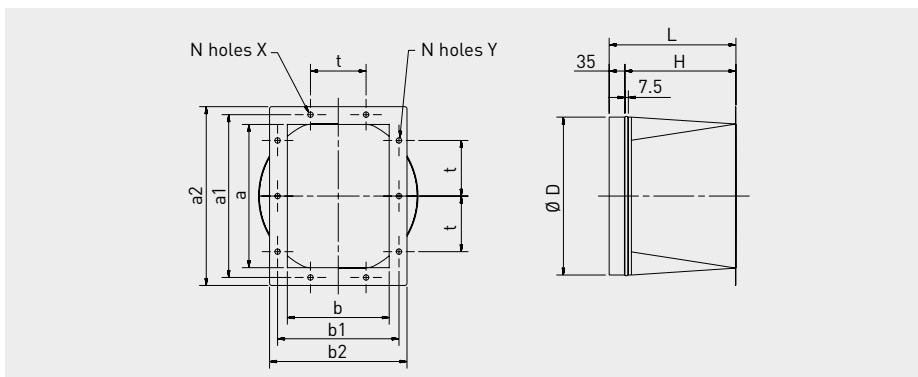
Model	Ø D	Ø D1	Ø D2	Ø DF	N	H
KRBD-125	130	165	190	10	4	80
KRBD-140	145	182	215	10	8	80
KRBD-160	160	200	235	10	8	80
KRBD-180	180	219	240	10	8	80
KRBD-200	200	241	265	10	8	80
KRBD-225	225	265	290	10	8	80
KRBD-250	250	292	320	10	8	100
KRBD-280	280	332	360	10	8	100
KRBD-315	315	366	395	12	8	140
KRBD-355	355	405	435	12	8	140
KRBD-400	400	448	480	12	12	140
KRBD-450	450	497	530	12	12	140
KRBD-500	506	551	580	12	12	140
KRBD-560	568	629	660	12	16	140
KRBD-630	638	698	730	12	16	140
KRBD-710	718	775	810	12	16	140
KRBD-800	806	861	900	12	16	140
KRBD-900	906	958	1000	15	16	140

MOUNTING ACCESSORIES



KRBI Rectangular / circular connection

Connection flange to mount at the fan outlet for connection with a circular duct.

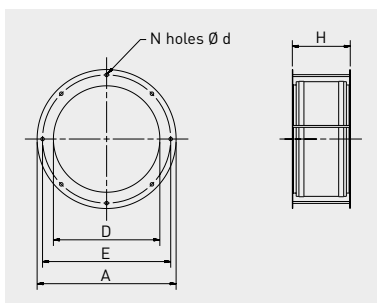


Model	N°Y	a	a1	a2	N°X	b	b1	b2	t	$\emptyset d1$	L	H	$\emptyset D$
KRBI-90x63	2	90	---	150	---	63	90	123	112	9,5	250	215	80
KRBI-100x71	2	100	---	160	---	71	100	131	125	9,5	250	215	100
KRBI-112x80	2	112	---	172	---	80	112	140	140	9,5	250	215	100
KRBI-125x90	2	125	165	185	1	90	130	150	100	9,5	250	215	125
KRBI-140x100	2	140	182	210	1	100	141	170	112	12	285	250	125
KRBI-160x112	2	160	200	230	1	112	153	182	112	12	285	250	140
KRBI-180x125	2	180	219	250	1	125	167	195	112	12	285	250	150
KRBI-200x140	2	200	241	270	2	140	182	210	112	12	285	250	180
KRBI-224x160	2	224	265	294	2	160	200	230	112	12	335	300	200
KRBI-250x180	3	250	292	320	2	180	219	250	112	12	335	300	225
KRBI-280x200	3	280	332	360	2	200	249	280	125	12	335	300	250
KRBI-315x224	3	315	366	395	2	224	273	304	125	12	335	300	280
KRBI-355x250	3	355	405	435	2	250	300	330	125	12	335	300	300
KRBI-400x280	4	400	448	480	3	280	332	360	125	12	485	450	355
KRBI-450x315	4	450	497	530	3	315	366	395	125	12	485	450	400
KRBI-500x355	4	500	551	580	3	355	405	435	125	12	485	450	450
KRBI-560x400	4	560	629	660	3	400	464	500	160	14	485	450	500
KRBI-630x450	4	630	698	730	3	450	513	550	160	14	535	500	600
KRBI-710x500	5	710	775	810	3	500	567	600	160	14	535	500	630
KRBI-800x560	4	800	871	920	3	560	639	680	200	14	585	550	710



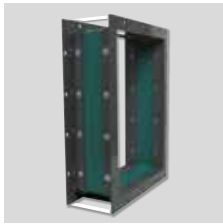
KREA Inlet flexible connector

Flexible connector manufactured from 2 inlet flanges mounted with a flexible material to connect the duct at the fan inlet. Avoid the vibrations.



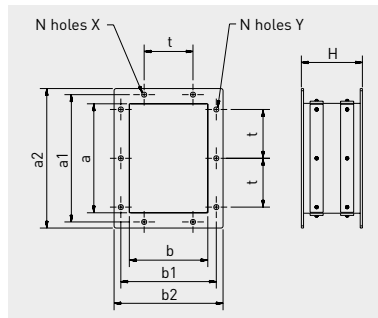
Model	$\emptyset D$	$\emptyset E$	$\emptyset A$	H	N	$\emptyset d$
KREA-125	130	165	190	150	4	11
KREA-140	145	182	215	150	8	11
KREA-160	160	200	235	150	8	11
KREA-180	180	219	240	150	8	9
KREA-200	200	241	265	150	8	9
KREA-225	225	265	290	150	8	9
KREA-250	250	292	323	150	8	10
KREA-280	280	332	360	150	8	9
KREA-315	315	366	400	150	8	12
KREA-355	355	405	445	150	8	12
KREA-400	400	448	485	160	12	12
KREA-450	450	497	537	160	12	12
KREA-500	506	551	595	170	12	12
KREA-560	568	629	665	170	16	12
KREA-630	638	698	735	170	16	12
KREA-710	718	775	806	170	16	12
KREA-800	806	861	896	170	16	12
KREA-900	906	958	1006	170	16	15

MOUNTING ACCESSORIES



KRED Outlet flexible connector

Flexible connector manufactured from 2 inlet flanges mounted with a flexible material to connect the duct at the fan outlet. Avoid the vibrations.

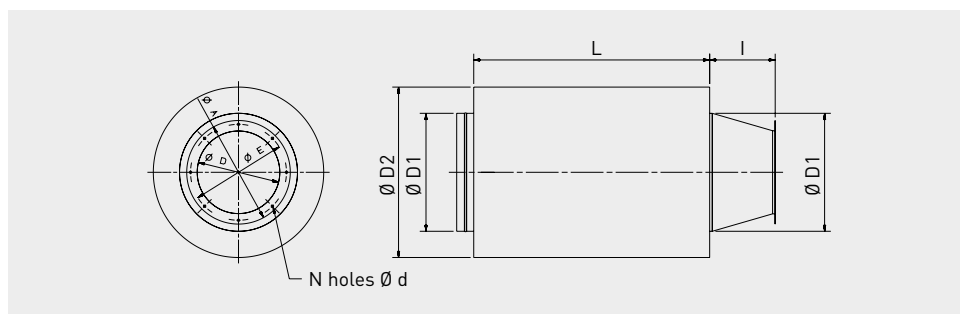


Model	N°Y	a	a1	a2	N°X	b	b1	b2	t	ø d1	H
KRED-80x56	2	80	---	130	---	56	80	106	100	9,5	140
KRED-90x63	2	90	---	150	---	63	90	123	112	9,5	140
KRED-100x71	2	100	---	160	---	71	100	131	125	9,5	140
KRED-112x80	2	112	---	172	---	80	112	140	140	9,5	140
KRED-125x90	2	125	165	185	1	90	130	150	100	9,5	140
KRED-140x100	2	140	182	210	1	100	141	170	112	11,5	140
KRED-160x112	2	160	200	230	1	112	153	182	112	11,5	140
KRED-180x125	2	180	219	250	1	125	167	195	112	11,5	140
KRED-200x140	2	200	241	270	2	140	182	210	112	11,5	140
KRED-224x160	2	224	265	294	2	160	200	230	112	11,5	140
KRED-250x180	3	250	292	320	2	180	219	250	112	11,5	140
KRED-280x200	3	280	332	360	2	200	249	280	125	11,5	140
KRED-315x224	3	315	366	395	2	224	273	304	125	11,5	140
KRED-355x250	3	355	405	435	2	250	300	330	125	11,5	140
KRED-400x280	4	400	448	480	3	280	332	360	125	11,5	140
KRED-450x315	4	450	497	530	3	315	366	395	125	11,5	140
KRED-500x355	4	500	551	580	3	355	405	435	125	11,5	160
KRED-560x400	4	560	629	660	3	400	464	500	160	11,5	160
KRED-630x450	4	630	698	730	3	450	513	550	160	11,5	160
KRED-710x500	5	710	775	810	3	500	567	600	160	14	160
KRED-800x560	4	800	871	920	3	560	639	680	200	14	160

MOUNTING ACCESSORIES



KRTA
Inlet attenuator
Circular attenuator for mounting at the fan inlet. Incorporate circular inlet flange.



Model	Ø D	Ø E	Ø A	N	Ø d	L	I	Ø D1	Ø D2
KRTA-125/160	130	165	189	4	11	600	150	160	360
KRTA-140/140	145	182	215	8	11	600	150	140	340
KRTA-160/160	160	200	235	8	11	600	150	160	360
KRTA-160/200	160	200	235	8	11	600	150	200	400
KRTA-160/355	160	200	235	8	11	600	150	355	555
KRTA-180/200	180	219	240	8	11	600	150	200	400
KRTA-180/250	180	219	240	8	11	600	150	250	450
KRTA-200/200	200	241	265	8	9	900	150	200	400
KRTA-200/250	200	241	265	8	9	900	150	250	450
KRTA-200/315	200	241	265	8	9	900	150	315	515
KRTA-225/250	225	265	290	8	9	900	200	250	450
KRTA-225/280	225	265	290	8	9	900	200	280	480
KRTA-225/315	225	265	290	8	9	900	200	315	515
KRTA-225/355	225	265	290	8	9	900	200	355	555
KRTA-225/400	225	265	290	8	9	900	200	400	600
KRTA-250/315	250	292	320	8	9	900	200	315	515
KRTA-250/355	250	292	320	8	9	900	200	355	555
KRTA-250/400	250	292	320	8	9	900	200	400	600
KRTA-250/450	250	292	320	8	9	900	200	450	650
KRTA-280/355	280	332	360	8	9	900	200	355	555
KRTA-280/400	280	332	360	8	9	900	200	400	600
KRTA-280/500	280	332	360	8	9	900	200	500	700
KRTA-280/560	280	332	360	8	9	900	200	560	760
KRTA-315/400	315	366	395	8	11	900	250	400	600
KRTA-315/450	315	366	395	8	11	900	250	450	650
KRTA-315/500	315	366	395	8	11	900	250	500	700
KRTA-315/560	315	366	395	8	11	900	250	560	760

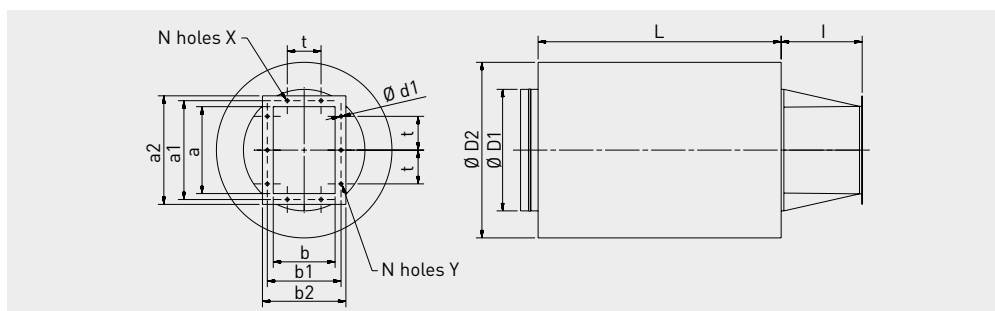
Model	Ø D	Ø E	Ø A	N	Ø d	L	I	Ø D1	Ø D2
KRTA-355/450	355	405	435	8	11	900	250	450	650
KRTA-355/500	355	405	435	8	11	900	250	500	700
KRTA-355/560	355	405	435	8	11	900	250	560	760
KRTA-355/630	355	405	435	8	11	900	250	630	830
KRTA-355/710	355	405	435	8	11	900	250	710	910
KRTA-400/500	400	448	480	12	11	900	250	500	700
KRTA-400/560	400	448	480	12	11	900	250	560	760
KRTA-400/630	400	448	480	12	11	900	250	630	830
KRTA-400/710	400	448	480	12	11	900	250	710	910
KRTA-400/800	400	448	480	12	11	900	250	800	1000
KRTA-450/630	450	497	537	12	12	900	300	630	830
KRTA-450/710	450	497	537	12	12	900	300	710	910
KRTA-500/630	506	551	595	12	12	1200	300	630	830
KRTA-500/710	506	551	595	12	12	1200	300	710	910
KRTA-500/800	506	551	595	12	12	1200	300	800	1000
KRTA-560/710	568	629	655	16	12	1200	300	710	910
KRTA-560/800	568	629	655	16	12	1200	300	800	1000
KRTA-630/800	638	698	725	16	12	1200	300	800	1000
KRTA-630/900	638	698	725	16	12	1200	300	900	1100
KRTA-630/1000	638	698	725	16	12	1200	300	1000	1200
KRTA-710/900	718	775	806	16	12	1200	450	900	1100
KRTA-710/1000	718	775	806	16	12	1200	450	1000	1200
KRTA-710/1120	718	775	806	16	12	1200	450	1120	1320
KRTA-800/1000	806	861	896	16	12	1200	450	1000	1200
KRTA-800/1120	806	861	896	16	12	1200	450	1120	1320

MOUNTING ACCESSORIES



KRTI Outlet attenuator

Circular sound attenuator for mounting at the fan outlet. Incorporate outlet rectangular flange.



Model	N°Y	a	a1	a2	N°X	b	b1	b2	t	Ø d1	L	I	Ø D1	Ø D2
KRTI-90x63/140	2	90	---	150	---	63	90	123	112	9,5	600	215	140	340
KRTI-100x71/160	2	100	---	160	---	71	100	131	125	9,5	600	215	160	360
KRTI-100x71/200	2	100	---	160	---	71	100	131	125	9,5	600	215	200	400
KRTI-112x80/250	2	112	---	172	---	80	112	140	140	9,5	600	215	250	450
KRTI-125x90/200	2	125	165	185	1	90	130	150	100	9,5	600	250	200	400
KRTI-140x100/160	2	140	182	210	1	100	141	170	112	11,5	600	250	160	360
KRTI-140x100/200	2	140	182	210	1	100	141	170	112	11,5	600	250	200	400
KRTI-140x100/250	2	140	182	210	1	100	141	170	112	11,5	600	250	250	450
KRTI-160x112/200	2	160	200	230	1	112	153	182	112	11,5	900	250	200	400
KRTI-160x112/250	2	160	200	230	1	112	153	182	112	11,5	900	250	250	450
KRTI-160x112/315	2	160	200	230	1	112	153	182	112	11,5	900	250	315	515
KRTI-180x125/250	2	180	219	250	1	125	167	195	112	11,5	900	300	250	450
KRTI-180x125/315	2	180	219	250	1	125	167	195	112	11,5	900	300	315	515
KRTI-180x125/355	2	180	219	250	1	125	167	195	112	11,5	900	300	355	555
KRTI-200x140/200	2	200	241	270	2	140	182	210	112	11,5	900	300	200	400
KRTI-200x140/250	2	200	241	270	2	140	182	210	112	11,5	900	300	250	450
KRTI-200x140/315	2	200	241	270	2	140	182	210	112	11,5	900	300	315	515
KRTI-200x140/355	2	200	241	270	2	140	182	210	112	11,5	900	300	355	555
KRTI-200x140/400	2	200	241	270	2	140	182	210	112	11,5	900	300	400	600
KRTI-224x160/250	2	224	265	294	2	160	200	230	112	11,5	900	300	250	450
KRTI-224x160/280	2	224	265	294	2	160	200	230	112	11,5	900	300	280	480
KRTI-224x160/315	2	224	265	294	2	160	200	230	112	11,5	900	300	315	515
KRTI-224x160/355	2	224	265	294	2	160	200	230	112	11,5	900	300	355	555
KRTI-224x160/400	2	224	265	294	2	160	200	230	112	11,5	900	300	400	600
KRTI-224x160/450	2	224	265	294	2	160	200	230	112	11,5	900	300	450	650
KRTI-250x180/315	3	250	292	320	2	180	219	250	112	11,5	900	300	315	515
KRTI-250x180/400	3	250	292	320	2	180	219	250	112	11,5	900	300	400	600
KRTI-250x180/500	3	250	292	320	2	180	219	250	112	11,5	900	300	500	700
KRTI-250x180/560	3	250	292	320	2	180	219	250	112	11,5	900	300	560	760
KRTI-280x200/355	3	280	332	360	2	200	249	280	125	11,5	900	300	355	555
KRTI-280x200/500	3	280	332	360	2	200	249	280	125	11,5	900	300	500	700

MOUNTING ACCESSORIES

Model	NºY	a	a1	a2	NºX	b	b1	b2	t	Ø d1	L	I	Ø D1	Ø D2
KRTI-280x200/560	3	280	332	360	2	200	249	280	125	11,5	900	300	560	760
KRTI-315x224/400	3	315	366	395	2	224	273	304	125	11,5	900	300	400	600
KRTI-315x224/450	3	315	366	395	2	224	273	304	125	11,5	900	300	450	650
KRTI-315x224/560	3	315	366	395	2	224	273	304	125	11,5	900	300	560	760
KRTI-355x250/450	3	355	405	435	2	250	300	330	125	11,5	900	300	450	650
KRTI-355x250/500	3	355	405	435	2	250	300	330	125	11,5	900	300	500	700
KRTI-355x250/560	3	355	405	435	2	250	300	330	125	11,5	900	300	560	760
KRTI-355x250/630	3	355	405	435	2	250	300	330	125	11,5	900	300	630	830
KRTI-355x250/710	3	355	405	435	2	250	300	330	125	11,5	900	300	710	910
KRTI-400x280/500	4	400	448	480	3	280	332	360	125	11,5	900	450	500	700
KRTI-400x280/560	4	400	448	480	3	280	332	360	125	11,5	900	450	560	760
KRTI-400x280/630	4	400	448	480	3	280	332	360	125	11,5	900	450	630	830
KRTI-400x280/800	4	400	448	480	3	280	332	360	125	11,5	900	450	800	1000
KRTI-450x315/630	4	450	497	530	3	315	366	395	125	11,5	900	450	630	830
KRTI-450x315/710	4	450	497	530	3	315	366	395	125	11,5	900	450	710	910
KRTI-500x355/630	4	500	551	580	3	355	405	435	125	11,5	1200	450	630	830
KRTI-500x355/710	4	500	551	580	3	355	405	435	125	11,5	1200	450	710	910
KRTI-500x355/800	4	500	551	580	3	355	405	435	125	11,5	1200	450	800	1000
KRTI-560x400/1000	4	560	629	660	3	400	464	500	160	14	1200	450	1000	1200
KRTI-560x400/710	4	560	629	660	3	400	464	500	160	14	1200	450	710	910
KRTI-560x400/900	4	560	629	660	3	400	464	500	160	14	1200	450	900	1100
KRTI-630x450/1000	4	630	698	730	3	450	513	550	160	14	1200	500	1000	1200
KRTI-630x450/1120	4	630	698	730	3	450	513	550	160	14	1200	500	1120	1320
KRTI-630x450/800	4	630	698	730	3	450	513	550	160	14	1200	500	800	1000
KRTI-710x500/1000	5	710	775	810	3	500	567	600	160	14	1200	500	1000	1200
KRTI-710x500/1120	5	710	775	810	3	500	567	600	160	14	1200	500	1120	1320
KRTI-710x500/900	5	710	775	810	3	500	567	600	160	14	1200	500	900	1100
KRTI-800x560/1000	4	800	871	920	3	560	639	680	200	14	1200	550	1000	1200
KRTI-800x560/1120	4	800	871	920	3	560	639	680	200	14	1200	550	1120	1320